



SP-7252F

MADE IN JAPAN

AIR MINI BEVELER

PALM SIZE

Safety Throttle Lever



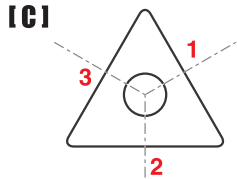
Front Exhaust for cooling metal.

Use the Palm Beveler to; Clean up welds, Beveling steel or aluminum edges for custom work. Automotive, Motorcycles, Marine and Aircraft uses. 45° Straight and Radius Blade available.

3 BLADE CUTTING HEAD

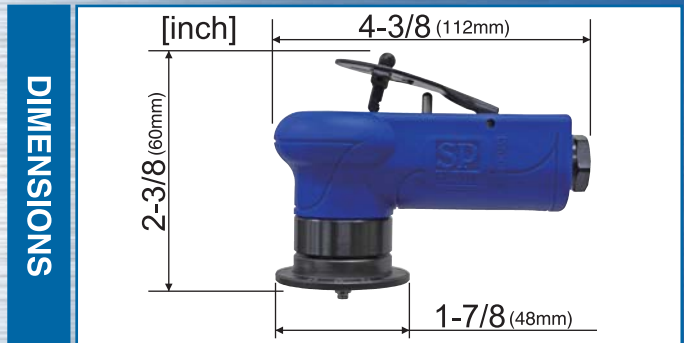
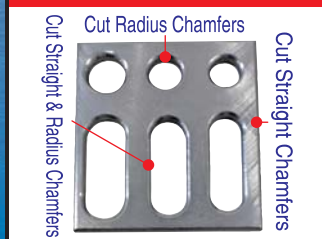


3 Edged Cutters



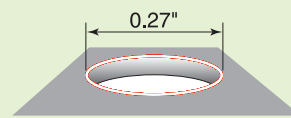
Flange with Scale To set depth of bevel.

APPLIED EXAMPLE

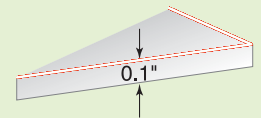


Machines chamfering capabilities

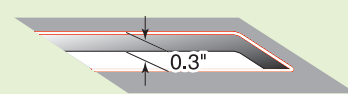
Cuts inside circles with a 0.27" diameter or more



Cuts materials with a minimum of 0.1" thickness



Will make blind cuts with a minimum of 0.3" depth



Model No.	Minimum Diameter	Chamfering Capacity	Free Speed	
SP-7252F	0.27"	1/16"C	23,000 rpm	
Model No.	Overall Length	Net Weight	Vibration Level	Sound Level
SP-7252F	4-3/8"	0.9 lbs.	1.6 m/s ²	81.5 dB

SP AIR CORPORATION